



TECHNICAL SPECIFICATION

# **Inverter – Bi-directional Model: B60**

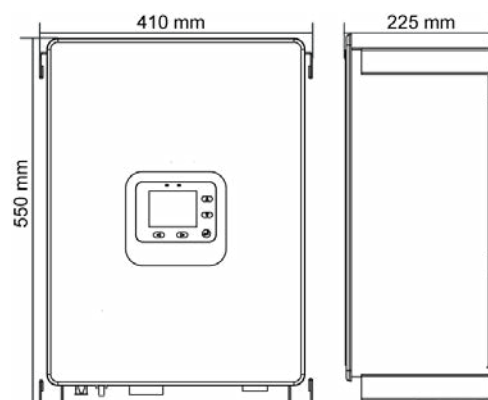
ENERGY TRANSFORMATION IS HERE. IT'S TIME TO TAKE CHARGE.

# Inverter Bi-directional for QuiPower Storage

## Technical data inverter B60

Input DC	Inverter B60
Operating Voltage Range (V)	200 - 800
Charging upper limit voltage (V)	Adjustable within range
Discharging cut-off voltage (V)	Adjustable within range
Max. DC discharging current (A)	20
Max. DC Charging current (A)	20

Output AC	Inverter B60
Continuous output power (W)	5800
Max. output power (W)	6000
Nominal output voltage (V)	400
No. of feed-in phases	3
Operating output voltage range (V)	324-436,437-460
AC Voltage frequency range (Hz)	47,55-51,45 (50 rated)
Nominal output current (A)	8,7
Max. output current (A)	9,6
Power Factor ( $\lambda$ )	(-0,95 , 0,95)
Standby Power Consumption (W)	<15
THDi (100% full power)	<3%



*Inverter B60*

### **Inverter B60**

- Integrated if selected for QuiPower Storage Indoor and Outdoor.



Kung Hans väg 3  
192 68 Sollentuna  
Sweden

+46(0)10 - 122 17 00  
info@enequi.com  
www.enequi.com

# Inverter Bi-directional for QuiPower Storage

## Technical data inverter B60

Efficiency	Inverter B60
Max. charging/discharging efficiency	$\geq 96,5\%$

General data	Inverter B60
Topology	Without transformer
Heat dissipation	Forced air cooling
Operating temperature range (deg.C)	-25 to 60
Relative humidity	$\leq 95\%$
Altitude (m)	$\leq 2000$
IP Protection Class	IP 65
Cooling	Forced air cooling
Noise (dB)	55
Interface	USB / RS485
Dimension (W*H*D) (mm)	408 * 548 * 231
Weight (kg)	26
Display	LCD

Certificate	Inverter B60
Standard	VD-AR-N 4105 IEC 62477

Protective Devices	
AC short-circuit	Yes
DC reverse polarity protection	Yes
DC Fuse	Yes
DC switch	Yes
Surge protection	Yes



Kung Hans väg 3  
192 68 Sollentuna  
Sweden

+46(0)10 - 122 17 00  
info@enequi.com  
www.enequi.com